



Software

DEMCO AUTOMATION www.demcowedge.com

CONTROLS in A BOX READY TO USE CONTROL SYSTEM

CONTROLS-in-A-BOX BENEFITS

- Instant Bolt-on ready to go control system!!!!
- No panel design or fabrication required!!!
- Allows programming and modifications without any ladder logic knowledge using the **DEMCO SUPERWEDGE** software.

STANDARD FEATURES

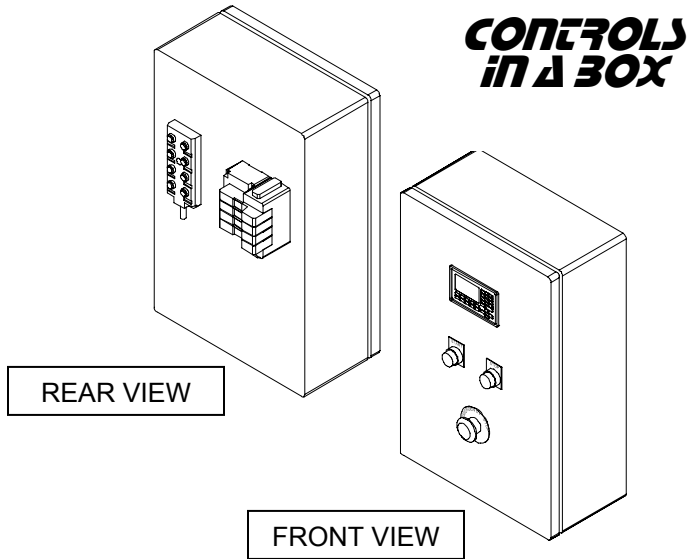
- Operator panel to show alarms and production status.
- Emergency stop safety circuit.
- Tie-in points for field I/O

WHAT YOU GET

- **SUPERWEDGE** Software on CD with operational manual.
- Control box to be mounted on your equipment.
- Pre-programmed PLC.
- 24VDC Power Supply for input and output power.
- Pre-programmed operator Interface to display alarms and machine status.
- 2 – 8 port sensor input modules. Additional ones available.
- AUTOCAD drawing template to professionally complete your documentation

AVAILABLE OPTIONS

- Expandable I/O. for larger systems.
- Additional sensor blocks and or valves.
- Remote mounted operators panel.
- Additional E-stop buttons for field mounting.
- Different power sources for international applications.



DESCRIPTION

DEMCO'S CONTROLS in A BOX is a bolt in place control system designed for small non-**DEMCO** machines.

This system removes all the labor and head-ache involved in developing a control system for a small machine. No more, panel design and fabrication. Programming is greatly reduced using the **SUPERWEDGE** software. All that is required for a complete control system are a few easy steps.

- Mechanically mount control box.
 - Wire field I/O to connectors on the outside of the box.
 - Power up and program with the **SUPERWEDGE** system.
- It's that easy!!!!

TRAINING CLASSES AVAILABLE

PLEASE CONTACT DEMCO FOR INFORMATION AND SCHEDULES

HOW TO ORDER

CIB-0201.01

Delivered with software on CD, manual , and 10 foot communication cable.

CALL TOLL FREE 1-888-41-WEDGE